



ROOF THIMBLE							
IEC Part #	Exhaust Tube Size OD	Length = Roof Thickness + 18"	A Pass Thru Tube	B Thimble OD	C Hole in Rain Shroud	D Roof Plates	E Rain Shroud OD
IECRT-1.5	1.5	x	3.5	10	1.56	14	12
IECRT-2	2	x	4	10	2.06	14	12
IECRT-2.5	2.5	x	4.5	10	2.56	14	12
IECRT-3	3	x	5	10	3.06	14	12
IECRT-3.5	3.5	x	6	10	3.56	14	12
IECRT-4	4	x	6	10	4.06	14	12
IECRT-5	5	x	7	12	5.06	16	14
IECRT-6	6	x	8	12	6.06	16	14
IECRT-8	8	x	10	14	8.06	18	16
IECRT-10	10	x	12	16	10.06	20	18
IECRT-12	12	x	14	18	12.06	22	20
IECRT-14	14	x	16	20	14.06	24	22
IECRT-16	16	x	18	22	16.06	26	24
IECRT-18	18	x	20	24	18.06	28	26
IECRT-20	20	x	22	26	20.06	30	30
IECRT-22	22	x	24	28	22.06	32	30
IECRT-24	24	x	26	30	24.06	34	36
IECRT-26	26	x	28	32	26.06	36	36
IECRT-28	28	x	30	34	28.06	38	36
IECRT-30	30	x	32	36	30.06	40	40

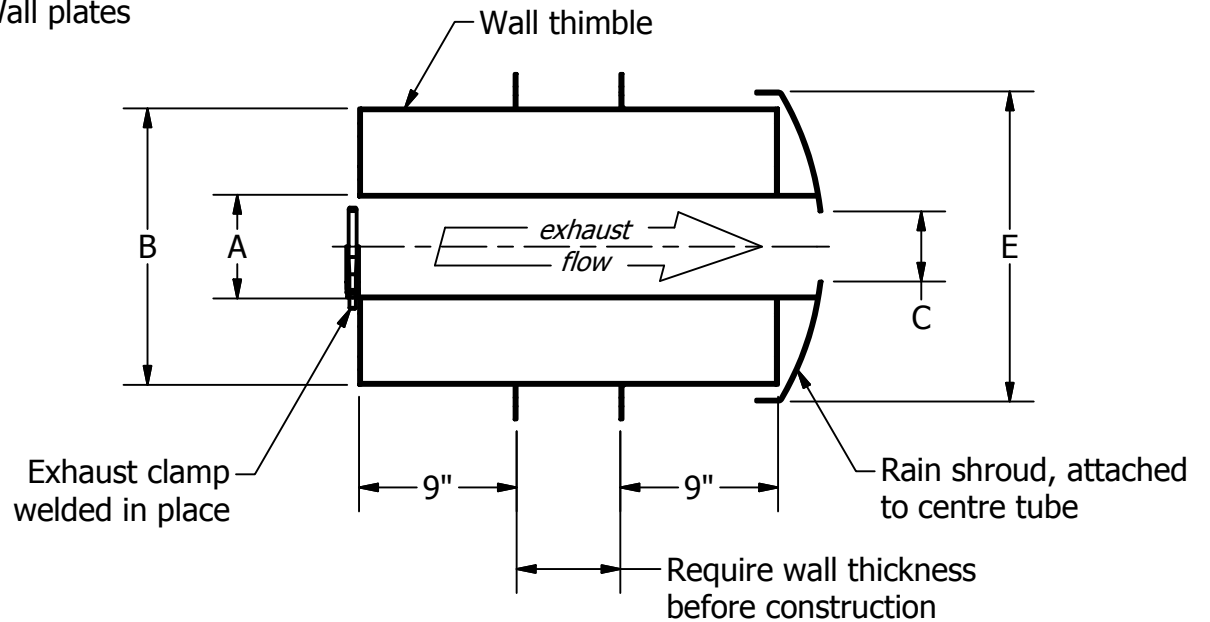
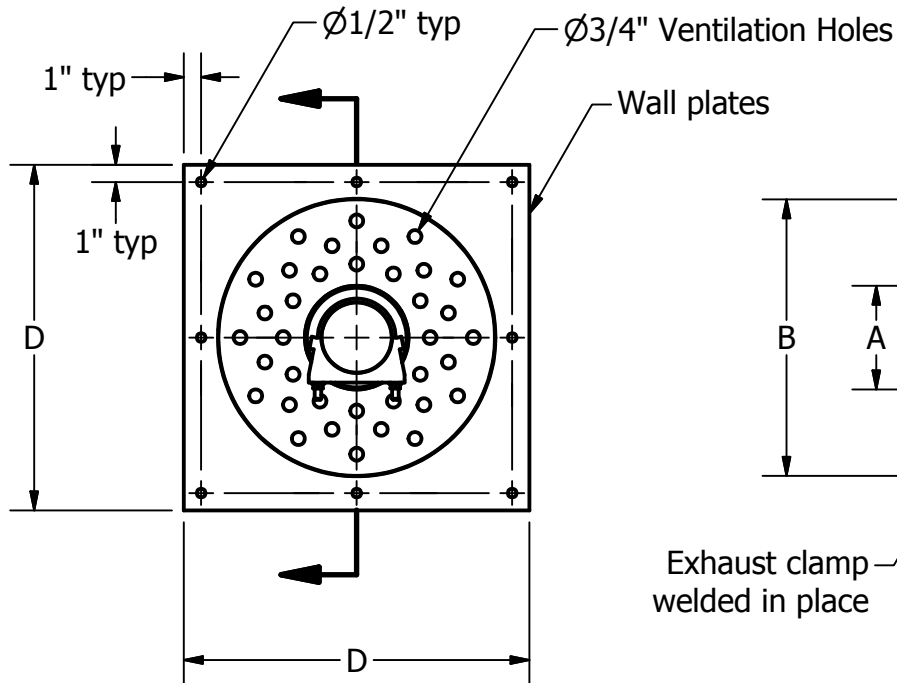
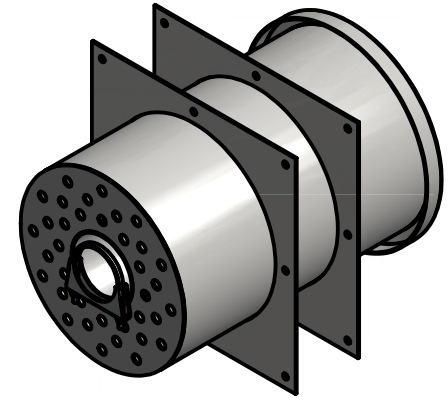
1. National Fire Protection Association Standard (NFPA) 37 design.
2. NFPA 110 requirement: "an approved thimble shall be used where exhaust piping passes through combustible roofs".
3. Maximum operating temperature of 1400F / 760C.
4. Thimble length is 18" plus roof thickness. 9" on either side of the roof. Roof thickness must be determined prior to manufacturing.
5. Exhaust tube and thimble must not make contact. Equal distance between exhaust tube and opening in the thimble is required.
6. NFPA 37 requirement: Thimble must extend at least 9" on each side of roof.
7. Do not plug gap between exhaust tube and thimble.
8. Do not plug gap between rain shroud and thimble.
9. High temperature sealer required between exhaust tube and rain shroud.
10. Different thimble design is required for operating temperatures higher than 1400F / 760C

 INDUSTRIAL EXHAUST COMPONENTS <i>Pollution and Noise Reduction Specialists</i> 4103 98 Street, Edmonton, T6E 5N5 - 780 435-8616	Roof Thimble - Non Insulated		
	Size A	DWG # IECRT	REV 0
	Approved RM	Approval Date 05-Nov-13	Sheet 1 of 1

WALL THIMBLE							
IEC Part #	Exhaust Tube Size OD	Length = Wall Thickness + 18"	A Pass Thru Tube	B Thimble OD	C Hole in Rain Shroud	D Wall Plates	E Rain Shroud OD
IECWT-1.5	1.5	x	3.5	14	1.56	18	16
IECWT-2	2	x	4	14	2.06	18	16
IECWT-2.5	2.5	x	4.5	15	2.56	19	16
IECWT-3	3	x	5	15	3.06	19	16
IECWT-3.5	3.5	x	6	16	3.56	20	18
IECWT-4	4	x	6	16	4.06	20	18
IECWT-5	5	x	7	17	5.06	21	18
IECWT-6	6	x	8	18	6.06	22	20
IECWT-8	8	x	10	20	8.06	24	22
IECWT-10	10	x	12	22	10.06	26	24
IECWT-12	12	x	14	24	12.06	28	26
IECWT-14	14	x	16	26	14.06	30	30
IECWT-16	16	x	18	28	16.06	32	30
IECWT-18	18	x	20	30	18.06	34	36
IECWT-20	20	x	22	32	20.06	36	36
IECWT-22	22	x	24	34	22.06	38	36
IECWT-24	24	x	26	36	24.06	40	38
IECWT-26	26	x	28	38	26.06	42	40
IECWT-28	28	x	30	40	28.06	44	45
IECWT-30	30	x	32	42	30.06	46	45

1. National Fire Protection Association Standard (NFPA) 37 design.
2. NFPA 110 requirement: "an approved thimble shall be used where exhaust piping passes through combustible walls or partitions".
3. Maximum operating temperature of 1400F / 760C.
4. Thimble length is 18" plus wall thickness. 9" on either side of the wall. Wall thickness must be determined prior to manufacturing.
5. Exhaust tube and thimble must not make contact. Equal distance between exhaust tube and opening in the thimble is required.
6. NFPA 37 requirement: Thimble must extend at least 9" on each side of wall.
7. Do not plug gap between exhaust tube and thimble.
8. Do not plug gap between rain shroud and thimble.
9. High temperature sealer required between exhaust tube and rain shroud.
10. Different thimble design is required for operating temperatures higher than 1400F / 760C

 <p>INDUSTRIAL EXHAUST COMPONENTS <i>Pollution and Noise Reduction Specialists</i></p> <p>4103 98 Street, Edmonton, T6E 5N5 - 780 435-8616</p>	Wall Thimble - Non Insulated		
	Size A	DWG # IECWT	REV 0
	Approved RM	Approval Date 05-Nov-13	Sheet 1 of 1



Notes:

1. Manufactured from heavy gauge carbon steel.
2. Finished with high-temperature aluminum / black paint.
3. Require at least 9" of thimble on either side of wall as per NFPA 37.
4. See attached sheet for dimensions and important installation details.
5. Manufactured for exhaust tubing. Dimensions for schedule pipe available up on request.
6. Number and position of ventilation holes varies with thimble size.
7. Subject to change without notice.

INDUSTRIAL EXHAUST COMPONENTS LTD.
 4103 - 98 STREET NW, EDMONTON, ALBERTA, CANADA T6E 5N5
 PHONE 780-435-8616 www.industrialexhaust.com
 THE INFORMATION CONTAINED IN THIS DRAWING IS THE PROPERTY OF INDUSTRIAL EXHAUST COMPONENTS LTD. ANY USE OR REPRODUCTION IN PART OR AS A WHOLE WITHOUT THE WRITTEN PERMISSION OF INDUSTRIAL EXHAUST COMPONENTS LTD. IS PROHIBITED

WALL / ROOF THIMBLE, NON-INSULATED

SIZE	DWG NO	REV
A	IECWT	0
APPROVED BY	APPROVAL DATE	SHEET 1 OF 1
RM	5 Nov 13	